

Magnetic compass

AlphaBinnacle H Mk2

ALPHATRON
Marine



- Complete compass kit for SOLAS vessels
- With graduated scale and the center pivot on the top glass
- Suitable for reflector, vertical or horizontal by-pass
- Expandable with TMC (type approved)



Category

>150 GT



Deepsea



Workboats



Fishing



Yachting

alpatronmarine.com

Features |

The AlphaBinnacle H Mk2 is a reflector compass binnacle for worldwide use on commercial vessel over 150 GT, fishing vessels and workboats over 35 meters. It meets European MED ("Wheelmark") approval and all important international specifications. Suitable for use with Transmitting Magnetic compass (TMC) equipment to operate repeaters like the AlphaLine MFX range, off-course alarms and outputs to navigation equipment including gyro back up.

The complete set

- Magnetic Compass
- AlphaBinnacle H Mk2
- TMC system
- Repeater

- High quality hardware design
- Complete compass kit for SOLAS vessels
- Compass with graduated scale and the center pivot on the top glass allow to take bearings
- Suitable for reflector, vertical or horizontal by-pass
- Expandable with TMC (type approved)
- Light aluminum alloy
- 3-digit figures each 10°
- Longitudinal gimbal, inserts made of bronze
- Vibration resistance expansion chamber

Magnetic compass |

The AlphaBinnacle is made of lightweight aluminum magnesium alloy with seawater resistant fittings which guards the Class A compass. It will be delivered with the necessary deviation correctors.

The magnetic compass used in the AlphaBinnacle complies with Class A and can be mounted in a binnacle with the full range of options.



AlphaBinnacle H Mk2 |

The AlphaBinnacle H Mk2 is available in one height and is standard supplied as a reflector version.

Conveniently combine the AlphaBinnacle with our AlphaLine repeaters so that the compass headings can be viewed around the wheelhouse.

The professional binnacle made of lightweight aluminum magnesium alloy with seawater resistant fittings is suitable for deck mount applications. The binnacle is fitted with all the necessary deviation correctors including: B+C, K and D and H (Heeling) error as well as Flinders bars. E correctors are optional.

TMC |

The Transmitting Magnetic Compass (TMC) is a product used as an addition to traditional mechanical magnetic compasses. It is used to convert the compass signal from analog to digital, which creates several convenient options like replacing the periscope, a backup heading to the auto pilot, an independent off course alarm and showing the magnetic heading in more than one place.



The complete TMC set

- The sensor or magnetic coil
- A junction box with a set of cables
- The NMEA Data Output Unit



The NMEA Data Output Unit will provide:

- Digital data output according to IEC 61162-1 (NMEA0183)
- Different output signal specifications
- Point to point transmission error correction routine
- Automatically check of azimuth sensor against drop and interfering magnetic fields
- Power failure alarm for main/emergency supply voltage
- Automatic change-over for main and emergency power supply (24VDC)

The sensor bracket is sold separately.

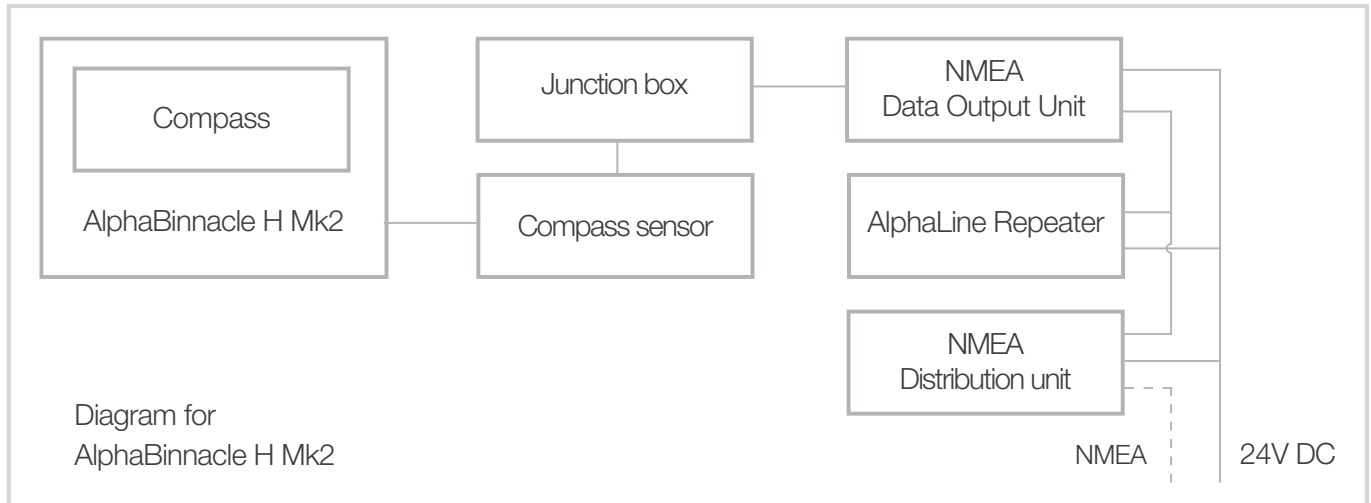
Add display |

The robust display line can be used as type approved heading indicator or as heading repeater connectable to a gyro, magnetic or GPS compass showing the ship's heading information from a standard ship's compass. The LCD information screens display digital course trend, alarm and rate of turn.



System diagram |

The AlphaBinnacle transfers data via the TMC (Compass sensor) to the AlphaLine repeaters. Optionally, the system can be connected to a NMEA distribution unit transmitting to multiple AlphaLine repeaters.



Specifications |

AlphaBinnacle H Mk2

Material	Lightweight aluminum magnesium (AL Mg) alloy
Correction	A full set of compensating magnets B+C, K and D and H (Heeling) error as well as Flinders bars for error compensation
Lighting	Illumination of compass card by two Two E14-type, 40 VA lamps (main light 230VAC and emergency light 24VDC) fitted within the binnacle.
Flinders	Included
Compass	Class A, 180mm Reflector Card
Azimuth Mirror	Azimuth Reading Device is supplied in a hardwood storage box
Colour	Binnacle white
Periscope	Optional reflector tube with mirror head (extendable mirror head only if no horizontal by-pass) and mounting flange, rubber gasket and facing ring

Magnetic Compass

Design	With graduated scale to take bearings. Card Ø 180 mm
Type	Class A with directional system of Ø 180 mm
Specifics	1° division, 1° division for reading from below, magnetic moment app. 4 Am ² , 2 lubber lines, scale ring division 1°
Centre pivot	centre pivot for azimuth device
Gimbal ring	gimbal ring with suspension inserts

AlphaLine displays

Size	4 display sizes available
Alarm signal loss	Audible/visual
Indication	Heading, magnetic or true Rate of Turn (ROT)
Serial port interface	IEC61162-1
Input	DDC, ROT, HDT (default), HDG, HDM, THS

In the box |

Model

- AlphaBinnacle H Mk2 - standard height 1200 mm for vessels >150 GT G-007897
 - Including:
 - Compass Class-A
 - B+C, D, and K correctors
 - Flinder's bar
 - Two E14-type, 40 VA lamps (main light 230VAC and emergency light 24VDC) fitted
 - Azimuth reading device
 - Spare compass
 - Canvas cover

Accessoires

- TMC system for AlphaBinnacle H Mk2 G-007896
 - Including:
 - NMEA Data Output Unit
 - Compass coil
 - Junction box
- Sensor bracket for mounting the TMC sensor on a compass G-007256
- Azimuth reading device for AlphaBinnacle H Mk2 compass G-007129
- NMEA distribution module mk.2 (1 input/ 4 outputs) G-002572

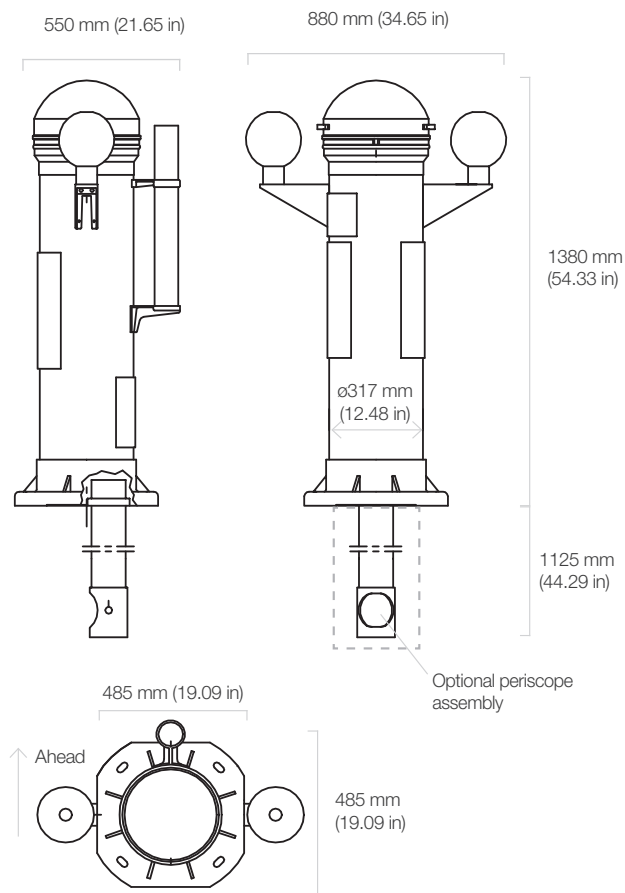
AlphaLine

- Alphaline Repeater Display MFS-H ● G-002741 ● G-002742
- Alphaline Repeater Display MFS-V ● G-002743 ● G-002744
- Alphaline Repeater Display MFM ● G-002749 ● G-002750
- Alphaline Repeater Display MFL ● G-002751 ● G-002752
- AlphaHeading Indicator MFM ● G-004531 ● G-004532
- AlphaHeading Indicator MFL ● G-004533 ● G-004534
- AlphaHeading+ Indicator MFL ● G-004535 ● G-004536

Tech Specs |

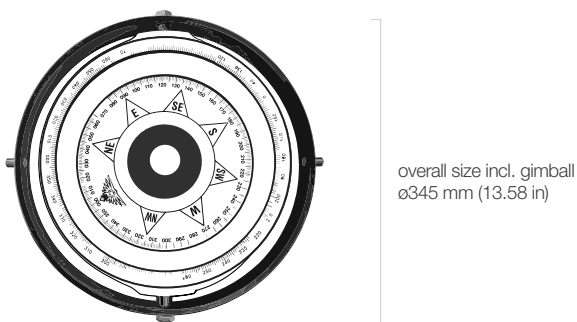
AlphaBinnacle H Mk2 RoHS

G-007897 Weight 85 kg (187.39 lbs)



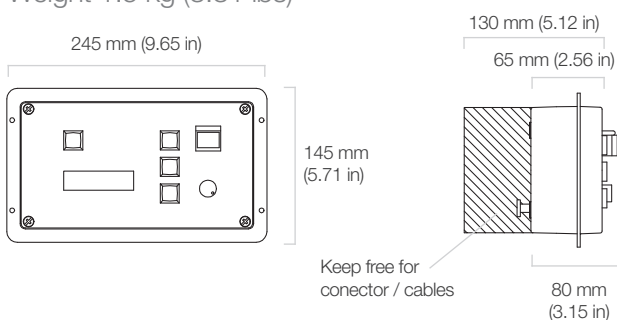
Magnetic compass Class A RoHS

G-007897 Weight 12 kg (26.46 lbs)



NMEA Data output RoHS

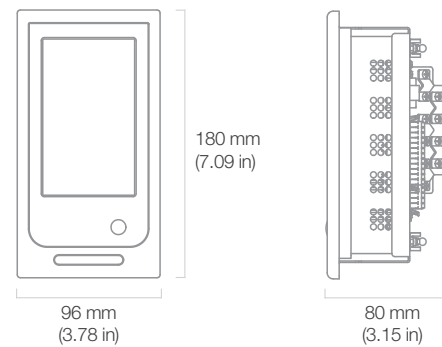
Weight 1.5 kg (3.31 lbs)



AlphaLine displays (option)

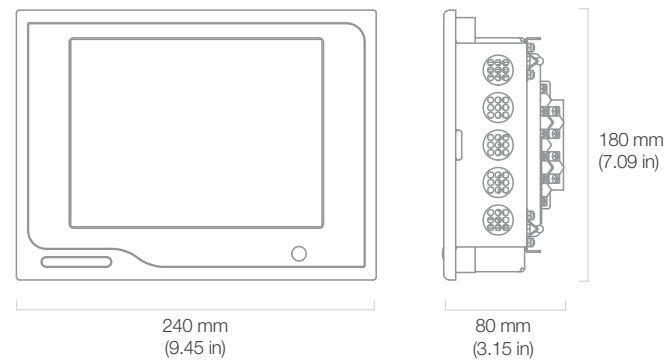
AlphaLine MFS-V RoHS

Weight 0.75 kg (1.65 lbs)



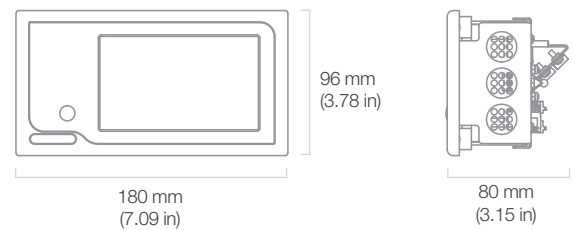
AlphaLine MFL RoHS

Weight 1.83 g (4.04 lbs)



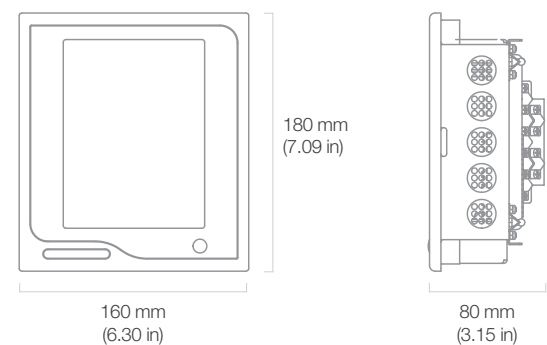
AlphaLine MFS-H RoHS

Weight 0.75 kg (1.65 lbs)



AlphaLine MFM RoHS

Weight 1.23 kg (2.71 lbs)





ALPHATRON
Marine



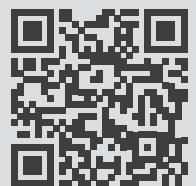
www.alphatronmarine.com

Contact hoofdkantoor

Alphatron Marine B.V.
Schaardijk 23
3063 NH Rotterdam
Nederland
+31 10 453 4000
info@alphatronmarine.com

Wereldwijd

België	Maleisië
Curacao	Nederland
Frankrijk	Polen
Duitsland	Singapore
Japan	Spanje
Korea	USA



Scan of klik om de webpagina te bezoeken.